

RESIDENTIAL / COMMERCIAL SOLAR ENERGY SOLUTIONS
TERNATIVE ARCHITECTURE
 Michael J. Connor, Architect
 1500 West 10th Street, Suite 101
 Wilmington, NC 28403
 Phone: 910.343.1111
 Email: mjc@ternativearchitect.com

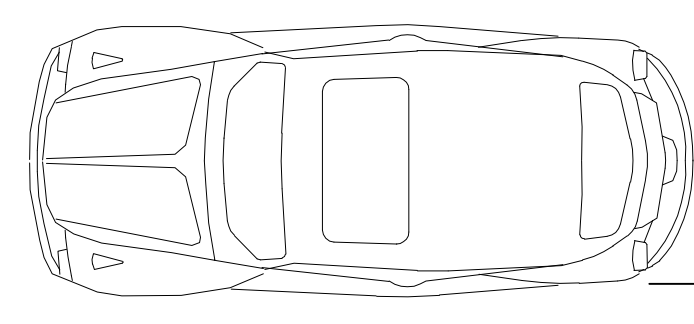
Preliminary Drawings (not for construction)
 COPYRIGHT © 2013
 This drawing and the design shown herein are the property of the Architect and are not to be reproduced or copied in whole or in part without the permission of the Architect. This drawing is to be used for the project only and is not to be used for any other project without the Architect's written consent.

Exterior and Interior Renovations For:
THE ALTARAC LOFT
 XXXXX Ninth Street., Wilmington, N.C. 284XX

REVISIONS #	Description	Date

Project # 1107
 Scale: As Shown
 Drawn By: MJC
 Checked: MJC
 Date: March 09, 2013

Sheet #
A-1B



1 PROPOSED FLOOR PLAN
 1/4" = 1'-0"

